

**FOR SALE**

**4x Used HD Fujinon HA27x6.5BESM Multi Purpose Studio Lens**

**Technical sheet down below**

**In top condition**

**Price on request:**

Excl. VAT

Excl. shipping & insurance costs

Excl. custom fees



Technical Sheet:

## High Definition Multi-Purpose Studio Lens HA27x6.5BESM with PF System



The Fujinon HA27x6.5BESM incorporates the highest magnification (27x) and the widest angle (6.5 mm) currently available for high definition studio lenses. This lens features higher optical performance, reduced flare, improved colour balance, a reduction in operating noise and a smaller size and weight than previous models. The lens is also available with Fujinon's exclusive Precision Focus Assistance System, which automatically corrects for minute focus errors.

It is a true all rounder, perfectly adapted to the requirements of studio and mobile production applications. Exceptionally quiet in operation, it is ideal for use in constricted conditions such as small and mid-size studios. Compact dimensions,

low weight and an improved balancing point support the use of prompter equipment and minimize the need for counterweights. The lens matches perfectly modern robotic pedestals. The HA27x features outstanding high definition quality in a cost-effective lens. The new HA27x6.5BESM enables improved quality of work in any high-end television studio application.

Incorporating the well-known DIGI Power features, the HA27x6.5 offers unparalleled production flexibility. QUICK ZOOM provides a rapid method for accurate focussing at the simple touch of a button. A user-friendly flexible two-shot preset for zoom and/or focus eases your production schedules. Zoom speeds as fast

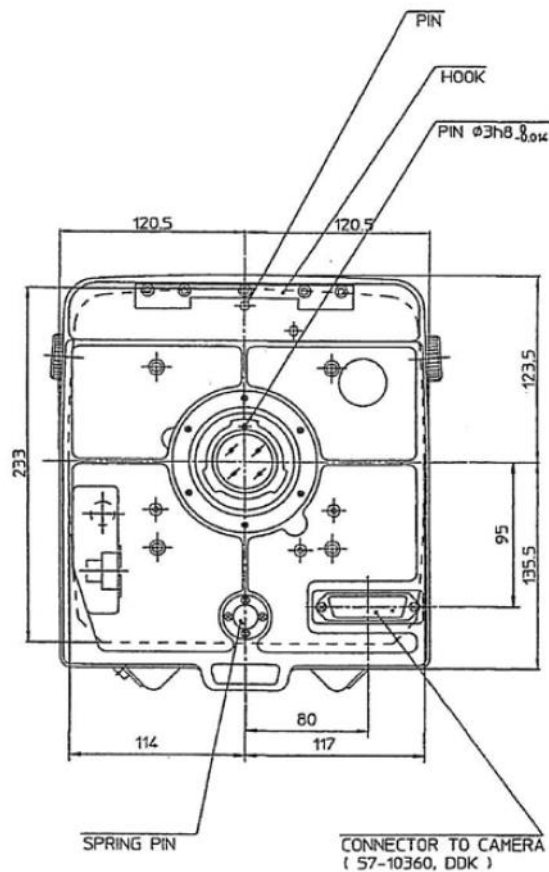
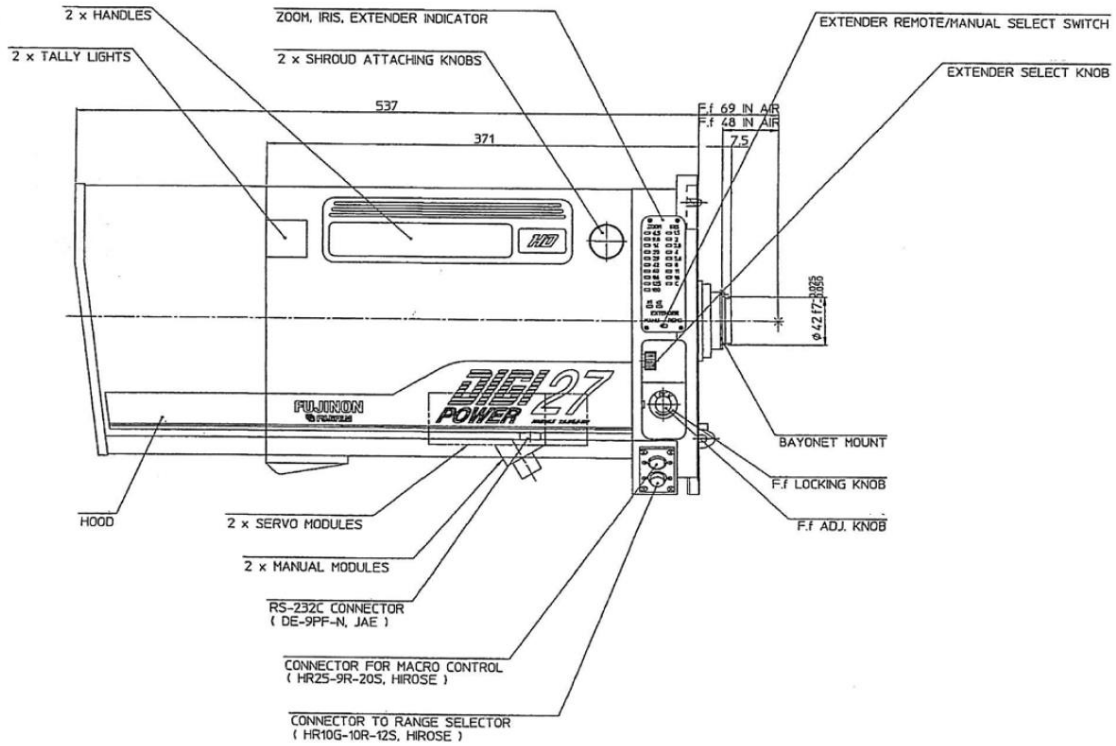
as 0.6 sec from end to end can be achieved. Zoom and focus characteristics can be selected to suit the actual production situation.

The HA27x6.5BESM multi-purpose lens combines outstanding high definition quality and fits perfectly in any mobile or studio production in daily life.

A lens designed especially for your duties.

Fujinon. To see more is to know more.

Specifications/Lens		HA27x6.5BESM	
Zoom ratio		27x	
Extender		2x	
Focal length w/o extender		6.5–180 mm	
Focal length w/ extender		13–360 mm	
Maximum relative aperture		F1.5 (6.5–123 mm) / F2.2 (180 mm)	
Angular field of view	4:3 Aspect ratio (8.8 x 6.6 mm)	(1x) 6.5 mm: 68°11' x 53°50' (1x) 180 mm: 2°48' x 2°60'	(2x) 13 mm: 37°24' x 28°29' (2x) 360 mm: 1°24' x 1°03'
	16:9 Aspect ratio (9.59 x 5.39 mm)	(1x) 6.5 mm: 72°50' x 45°02' (1x) 180 mm: 3°03' x 1°43'	(2x) 13 mm: 40°30' x 23°25' (2x) 360 mm: 1°32' x 0°51'
Minimum Object Distance M.O.D.		0.6 m	
Object dimensions at M.O.D.	4:3 Aspect ratio (8.8 x 6.6 mm)	(1x) 6.5 mm: 966 x 725 mm (1x) 180 mm: 36 x 27 mm	(2x) 13 mm: 483 x 362 mm (2x) 360 mm: 18 x 13 mm
	16:9 Aspect ratio (9.59 x 5.39 mm)	(1x) 6.5 mm: 1.053 x 592 mm (1x) 180 mm: 39 x 22 mm	(2x) 13 mm: 527 x 296 mm (2x) 360 mm: 20 x 11 mm
Size H x W x L		233 x 231 x 537 mm      228 x 231 x 588 mm w/ built in PF	
Macro		Yes	
Mass		19.7 kg      21.5 kg w/ built in PF	
Operating system		SM	
Ratio converter		Yes (optional)	
Memo		DIGI Power, Advanced Back Focus, Precision Focus Assist System (optional)	



Pictures of the Equipment:





sports tv media  
**distribution**

Paradeisergasse 9 • 9020 Klagenfurt, Austria  
Tel.: +43 463-90 8000 • Fax: +43 463-90 8000-99  
e-mail: [stvmd@stvmd.com](mailto:stvmd@stvmd.com) • <http://www.stvmd.com>

For more information please contact:

sports tv media  
**distribution**

Otmar Valzachi  
sports tv media distribution GmbH

Paradeisergasse 9  
9020 Klagenfurt  
Austria

Tel:+43 463 908000  
Fax:+43 463 908000 99  
Mobile:+43 676 848606211  
email: [ov@stvmd.com](mailto:ov@stvmd.com)  
<http://www.stvmd.com>